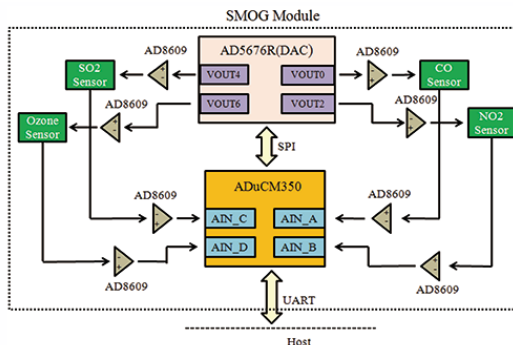
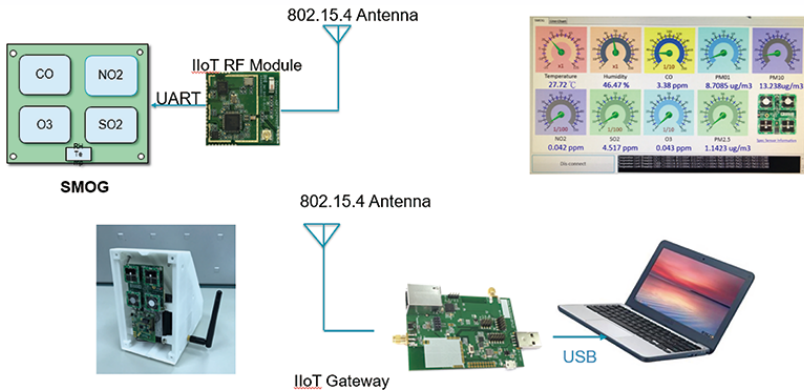


Outdoor SMOG Sensors: Gas sensor with temperature/humidity compensation + IloT Module



Focus market

- Cloud Computing
- Industrial Safety about Fire/Gas detection
- Smart Lighting Lamp
- Forest Fire detection

Solve the design challenge

- Wireless data transmission.
- Module maintain.
- To combine automatic control solution